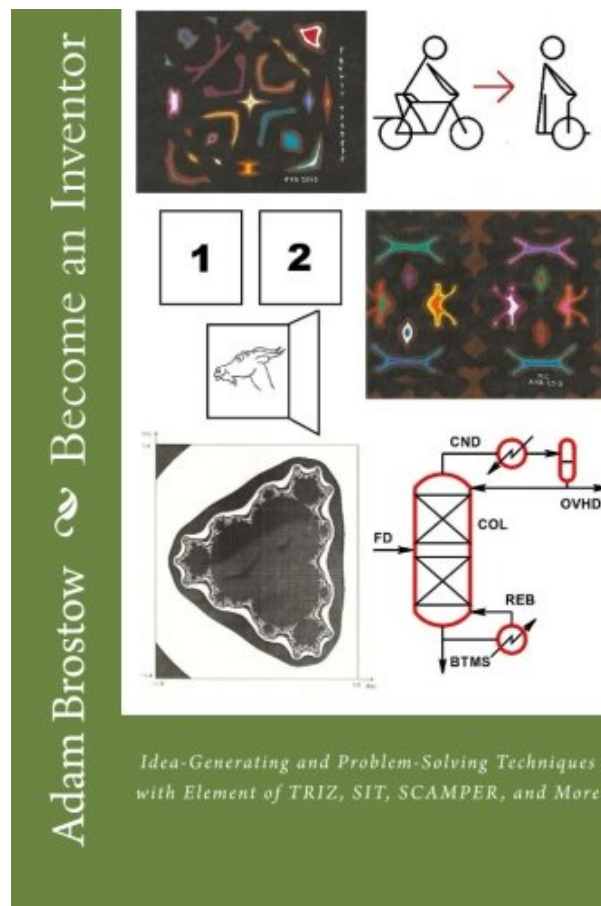


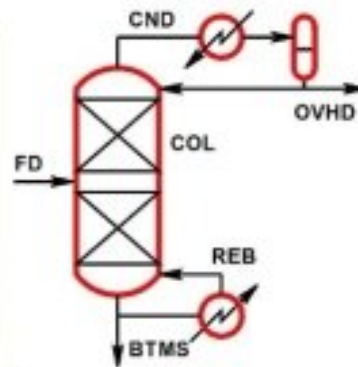
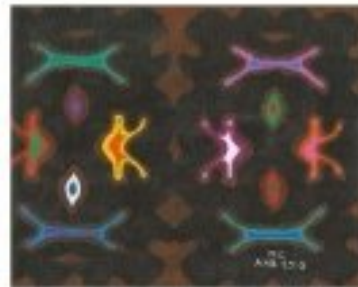
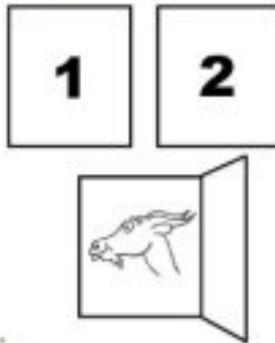
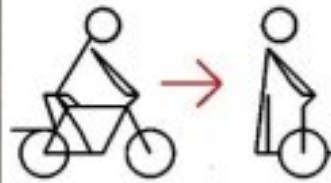
BECOME AN INVENTOR: IDEA-GENERATING AND PROBLEM-SOLVING TECHNIQUES WITH ELEMENT OF TRIZ, SIT, SCAMPER, AND MORE BY ADAM ADRIAN BROSTOW



DOWNLOAD EBOOK : BECOME AN INVENTOR: IDEA-GENERATING AND PROBLEM-SOLVING TECHNIQUES WITH ELEMENT OF TRIZ, SIT, SCAMPER, AND MORE BY ADAM ADRIAN BROSTOW PDF



Adam Brostow ∞ Become an Inventor



*Idea-Generating and Problem-Solving Techniques
with Element of TRIZ, SIT, SCAMPER, and More*

Click link bellow and free register to download ebook:

**BECOME AN INVENTOR: IDEA-GENERATING AND PROBLEM-SOLVING TECHNIQUES
WITH ELEMENT OF TRIZ, SIT, SCAMPER, AND MORE BY ADAM ADRIAN BROSTOW**

[DOWNLOAD FROM OUR ONLINE LIBRARY](#)

BECOME AN INVENTOR: IDEA-GENERATING AND PROBLEM-SOLVING TECHNIQUES WITH ELEMENT OF TRIZ, SIT, SCAMPER, AND MORE BY ADAM ADRIAN BROSTOW PDF

Why must be *Become An Inventor: Idea-Generating And Problem-Solving Techniques With Element Of TRIZ, SIT, SCAMPER, And More By Adam Adrian Brostow* in this website? Get a lot more earnings as what we have told you. You can find the various other eases besides the previous one. Ease of obtaining guide *Become An Inventor: Idea-Generating And Problem-Solving Techniques With Element Of TRIZ, SIT, SCAMPER, And More By Adam Adrian Brostow* as exactly what you really want is also provided. Why? We provide you numerous type of guides that will certainly not make you feel bored. You can download them in the link that we provide. By downloading *Become An Inventor: Idea-Generating And Problem-Solving Techniques With Element Of TRIZ, SIT, SCAMPER, And More By Adam Adrian Brostow*, you have taken the right way to choose the ease one, compared to the headache one.

BECOME AN INVENTOR: IDEA-GENERATING AND PROBLEM-SOLVING TECHNIQUES WITH ELEMENT OF TRIZ, SIT, SCAMPER, AND MORE BY ADAM ADRIAN BROSTOW PDF

[Download: BECOME AN INVENTOR: IDEA-GENERATING AND PROBLEM-SOLVING TECHNIQUES WITH ELEMENT OF TRIZ, SIT, SCAMPER, AND MORE BY ADAM ADRIAN BROSTOW PDF](#)

Do you think that reading is a crucial task? Locate your reasons why including is essential. Reading a publication **Become An Inventor: Idea-Generating And Problem-Solving Techniques With Element Of TRIZ, SIT, SCAMPER, And More By Adam Adrian Brostow** is one component of enjoyable activities that will make your life top quality better. It is not regarding just what sort of publication Become An Inventor: Idea-Generating And Problem-Solving Techniques With Element Of TRIZ, SIT, SCAMPER, And More By Adam Adrian Brostow you review, it is not just regarding the number of books you read, it has to do with the practice. Reviewing routine will be a method to make publication Become An Inventor: Idea-Generating And Problem-Solving Techniques With Element Of TRIZ, SIT, SCAMPER, And More By Adam Adrian Brostow as her or his close friend. It will certainly despise if they invest cash and invest even more e-books to finish reading, so does this book Become An Inventor: Idea-Generating And Problem-Solving Techniques With Element Of TRIZ, SIT, SCAMPER, And More By Adam Adrian Brostow

If you get the printed book *Become An Inventor: Idea-Generating And Problem-Solving Techniques With Element Of TRIZ, SIT, SCAMPER, And More By Adam Adrian Brostow* in online book store, you may additionally locate the same trouble. So, you must relocate shop to establishment Become An Inventor: Idea-Generating And Problem-Solving Techniques With Element Of TRIZ, SIT, SCAMPER, And More By Adam Adrian Brostow as well as look for the offered there. However, it will not occur right here. The book Become An Inventor: Idea-Generating And Problem-Solving Techniques With Element Of TRIZ, SIT, SCAMPER, And More By Adam Adrian Brostow that we will provide here is the soft data principle. This is exactly what make you could easily discover and also get this Become An Inventor: Idea-Generating And Problem-Solving Techniques With Element Of TRIZ, SIT, SCAMPER, And More By Adam Adrian Brostow by reading this website. We provide you Become An Inventor: Idea-Generating And Problem-Solving Techniques With Element Of TRIZ, SIT, SCAMPER, And More By Adam Adrian Brostow the most effective product, constantly and constantly.

Never ever doubt with our offer, since we will certainly constantly give what you require. As such as this updated book Become An Inventor: Idea-Generating And Problem-Solving Techniques With Element Of TRIZ, SIT, SCAMPER, And More By Adam Adrian Brostow, you might not find in the other area. Yet here, it's very easy. Just click and also download, you can have the Become An Inventor: Idea-Generating And Problem-Solving Techniques With Element Of TRIZ, SIT, SCAMPER, And More By Adam Adrian Brostow When convenience will alleviate your life, why should take the complex one? You can acquire the soft data of the book Become An Inventor: Idea-Generating And Problem-Solving Techniques With Element

Of TRIZ, SIT, SCAMPER, And More By Adam Adrian Brostow here and be participant of us. Besides this book Become An Inventor: Idea-Generating And Problem-Solving Techniques With Element Of TRIZ, SIT, SCAMPER, And More By Adam Adrian Brostow, you could additionally discover hundreds listings of the books from numerous resources, compilations, authors, as well as writers in all over the world.

BECOME AN INVENTOR: IDEA-GENERATING AND PROBLEM-SOLVING TECHNIQUES WITH ELEMENT OF TRIZ, SIT, SCAMPER, AND MORE BY ADAM ADRIAN BROSTOW PDF

This book talks about idea-generating techniques and creativity tools from historical, critical and personal perspective, shows the relationship between them, and illustrates them with numerous simple and more complex examples and drawings, including actual patented inventions. The techniques vary from systematic to random. The book also shows the application of such techniques to problem-solving, from quirky puzzles to practical applications. It shows the relationship between the natural world, art, and invention. It touches on the patenting process. Some specific topics include constrained creativity, jury-rigging MacGyver style, lateral thinking, and taking advantage of old sources. For example, penicillin could have been discovered much earlier if people paid attention to their predecessors. This book should be useful to engineers, scientists, students, inventors, as well as everyday problem solvers and tinkerers.

- Sales Rank: #756100 in Books
- Published on: 2015-03-31
- Original language: English
- Number of items: 1
- Dimensions: 9.00" h x .24" w x 6.00" l, .45 pounds
- Binding: Paperback
- 102 pages

Most helpful customer reviews

0 of 0 people found the following review helpful.

Nice and Quick

By Socio-physicist

The book is perfect for someone who want to get a quick introduction to TRIZ and apply it directly in the same page! I have a friend who could benefit from this. I have some experience in TRIZ already.

The author gives nice examples of a particular technique of TRIZ. Applying TRIZ to TRIZ was a nice move. I did not enjoy too many examples from chemical domain though it is my own fault. The introduction does mention this. Needs an editor for the thought flow. I am waiting for version 2 of this book. The book tries to focus on creative solutions rather than TRIZ. For e.g. SCAMPER, SIT is also mentioned. I liked that

0 of 0 people found the following review helpful.

Intriguing and inspiring book!

By Hope

This book made for a refreshing, memorable and intellectually stimulating read. I particularly remember a chapter in this book in which Brostow outlines principles of invention. This inspiring chapter has stayed with me and I wish to reread it. It is great that someone with his scientific background has taken the time to conceptualize and write an interdisciplinary book like this that can inspire artists, too. It left me wanting to

read more about the relationship between principles of scientific and artistic design and invention from him in the future.

0 of 0 people found the following review helpful.

A very good introduction to methodical innovation

By Rob Ryan

A very good introduction to methodical innovation. Too often innovation is perceived as something magical that requires almost genius-like levels of creativity and foresight. This book shows that everyone can develop innovative ideas, products and projects through the use of well established principles such as TRIZ and SCAMPER.

See all 6 customer reviews...

BECOME AN INVENTOR: IDEA-GENERATING AND PROBLEM-SOLVING TECHNIQUES WITH ELEMENT OF TRIZ, SIT, SCAMPER, AND MORE BY ADAM ADRIAN BROSTOW PDF

By clicking the link that our company offer, you could take the book **Become An Inventor: Idea-Generating And Problem-Solving Techniques With Element Of TRIZ, SIT, SCAMPER, And More By Adam Adrian Brostow** flawlessly. Hook up to internet, download, and also conserve to your gadget. Just what else to ask? Reading can be so very easy when you have the soft file of this Become An Inventor: Idea-Generating And Problem-Solving Techniques With Element Of TRIZ, SIT, SCAMPER, And More By Adam Adrian Brostow in your gizmo. You could also duplicate the data Become An Inventor: Idea-Generating And Problem-Solving Techniques With Element Of TRIZ, SIT, SCAMPER, And More By Adam Adrian Brostow to your workplace computer or in the house as well as in your laptop. Merely share this good information to others. Suggest them to visit this web page as well as obtain their hunted for publications Become An Inventor: Idea-Generating And Problem-Solving Techniques With Element Of TRIZ, SIT, SCAMPER, And More By Adam Adrian Brostow.

Why must be *Become An Inventor: Idea-Generating And Problem-Solving Techniques With Element Of TRIZ, SIT, SCAMPER, And More By Adam Adrian Brostow* in this website? Get a lot more earnings as what we have told you. You can find the various other eases besides the previous one. Ease of obtaining guide Become An Inventor: Idea-Generating And Problem-Solving Techniques With Element Of TRIZ, SIT, SCAMPER, And More By Adam Adrian Brostow as exactly what you really want is also provided. Why? We provide you numerous type of guides that will certainly not make you feel bored. You can download them in the link that we provide. By downloading Become An Inventor: Idea-Generating And Problem-Solving Techniques With Element Of TRIZ, SIT, SCAMPER, And More By Adam Adrian Brostow, you have taken the right way to choose the ease one, compared to the headache one.